



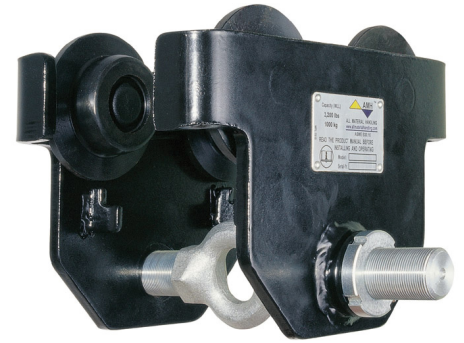
The Easiest Trolley Installation Ever

FEATURES

- ▶ 1/2 to 5t installation and adjustment by rotating the threaded hanger shaft.
- ▶ 10-30t installation from one side. Hanger shafts are fixed mounted to the opposite side plate.
- ▶ Trolleys up to 5t have a 5:1 design factor for use with powered or manual hoist. Trolleys 10t and greater have a 4:1 design factor and must be derated for use with powered hoist.
- ▶ Machined cast iron wheels with universal tread designed to fit flat or tapered beam flanges.
- ▶ Low headroom design with precision sealed “lubed for life” bearings assure smooth operation.
- ▶ Durable all steel construction with standard safety lugs.
- ▶ Geared trolley hand chain comes standard with 20 feet of drop.
- ▶ Meets: ASME/ANSI B30.16, OSHA, NASA-STD-8719.9, EU Directives: 2006/42/EC
- ▶ ATEX rated Ex II 3 GD c IIB 54° C X for limited use in hazardous environments.

Options:

- ▶ Extended hand chain drop (standard with 20 ft)
- ▶ Wide Flange Kits for 1/2-5t with 12” flange adjustment (may be ordered separately)



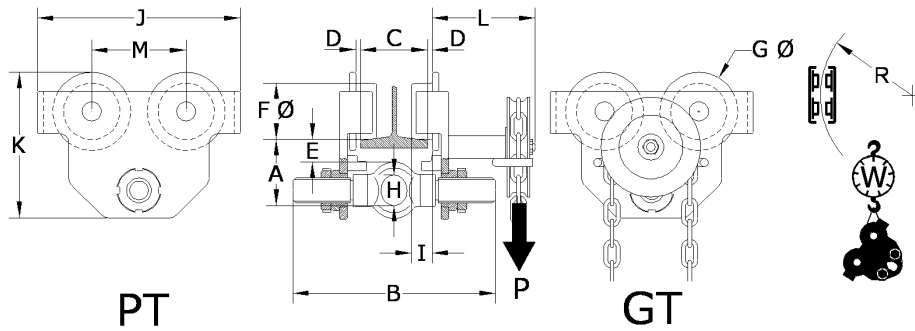
* Wide Flange Kit Specifications And Dimensions (inches & lbs)

WLL	For Model	Trolley w/Kit Weight (lbs)	B w/Kit	C w/Kit	Shaft Kit weight (lbs)	Wide Shaft Kit (Order Separately)
1/2t	PT005	19.1	14.8	6.3-12.01	5.1 lbs	PT005-FLG-12
1t	PT010	25.1	15.2		6.0 lbs	PT010-FLG-12
	GT010	36.1			9.0 lbs	PT020-FLG-12
2t	PT020	42.2	15.6		12.8 lbs	PT030-FLG-12
	GT020	53.2			17.9 lbs	
3t	PT030	72.6	16.1			
	GT030	85.6				
5t	PT050	97.8	16.3			
	GT050	111.8				

* Refer to page 16 drawings



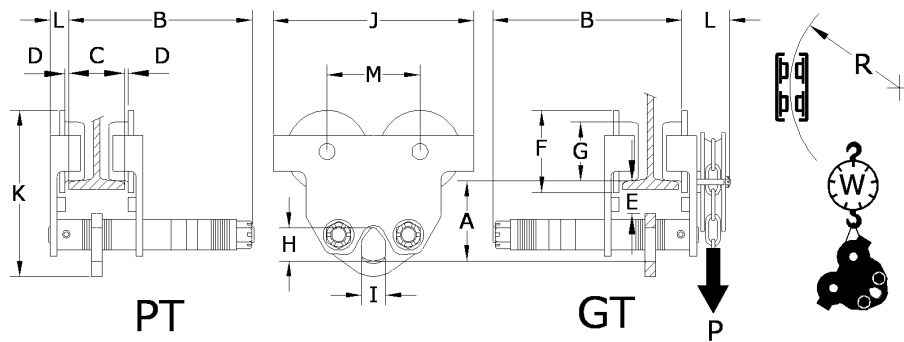
Before using these products; read and follow instructions in the operator's manual. Never exceed capacity. Do not use for lifting people or loads over people.



1/2 to 5 Metric ton PT & GT SERIES SPECIFICATIONS and DIMENSIONS (Inches and Pounds)

Base Model	WLL (5:1)	A	B1	B2	Standard C1	Wide Flg Kit C2	D	E	F	G	H	I	J	K	L	M	P* (lbs)	R Min	W1 (lbs)	W2 (Lbs)
PT005	1/2t	3.3	11.5	14.8	1.97-8.66	6.30-12.01	0-0.12	1.5	2.3	3.4	1.2	0.9	8.9	6.8	----	4.0	----	36	18	19
PT010	1t	3.7	11.8	15.2	2.28-8.66	6.30-12.01	0-0.12	1.7	2.4	3.7	1.4	0.9	9.9	7.4	----	4.8	----	40	24	25
GT010-20																				
PT020	2t	4.4	12.2	15.6	2.60-8.66	6.30-12.01	0-0.12	1.6	3.2	4.6	1.9	1.0	11.8	8.9	----	5.5	----	48	40	42
GT020-20																				
PT030	3t	5.8	12.8	16.1	2.91-8.66	6.30-12.01	0-0.12	2.5	3.9	5.5	2.3	1.3	14.2	11.4	----	6.3	----	52	69	72
GT030-20																				
PT050	5t	6.3	13.0	16.3	3.54-8.66	6.30-12.01	0-0.12	2.2	4.3	5.9	2.8	1.5	15.4	12.3	----	6.7	----	56	94	97
GT050-20																				

* Effort



10 TO 30 Metric ton PT & GT SERIES SPECIFICATIONS (inches and pounds)

Base Model	WLL (4:1)	A	B	C	D	E	F	G	H	I	J	K	L	M	Effort P (lbs)	R Min	W (lbs)
PT100	10t	7.5	15.5	4.9-12	0.08-0.13	1.8	7.0	5.4	4.4	2.8	18.1	15.5	1.8	7.9	----	79	198
GT100-20													4.3				54
PT160	16t	9.3	17.1	5.4-12	0.08-0.13	2.4	8.9	6.6	5.4	3.7	22.6	19.6	3.0	10.7	----	138	427
GT160-20													6.0				54
GT200-20	20t	9.2	17.1	5.4-12	0.08-0.13	2.3	8.9	6.9	5.4	3.7	22.6	19.6	6.0	10.7	56	138	458
GT300-20	30t	11.2	17.8	6.9-12	0.08-0.13	2.7	11.2	9.1	6.1	4.1	28.7	24.4	6.2	13.5	56	236	848